



On Today's Menu

Ready-made gene assemblies for your research!

Preassembled multi-gene expression constructs from ATG

Your fridge tells you you're out of DNA from your organismal source or you don't have one?

THEN ORDER YOUR SYNTHETIC GENES NOW - in any flavor you like!

Synthetic Gene Design: how can we serve you today?

Synthetic Gene Menu

Main Courses

CDS 1 ✓	CDS 5
CDS 2	CDS 6 ✓
CDS 3 ✓
CDS 4	CDS n

Specials

Full Design and Synthesis Service
please ask our Maître d' for an individual arrangement

Sides

<i>Promoters</i>	<i>Linkers, Stuffers, etc.</i>
A ✓	L1 S2
B ✓	L2 R1
C ✓	S1 ✓
D	

Terminators

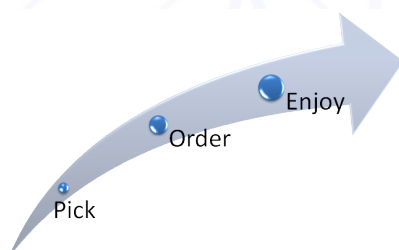
X ✓	<i>Oris</i>
Y ✓	O1 ✓
Z ✓	O2 ✓
	O3

Desserts

Design ✓✓
Optimization ✓✓
Consulting ✓✓

- Pick your main course of gene CDSs
- Choose a selection of sides (promoters, terminators, restriction sites, etc.)
- Round it off with a dessert of our fantastic home-made gene (cluster) optimization and design.
- Home-delivered to your doorstep!

Synthetic Gene Assemblies – the easy way

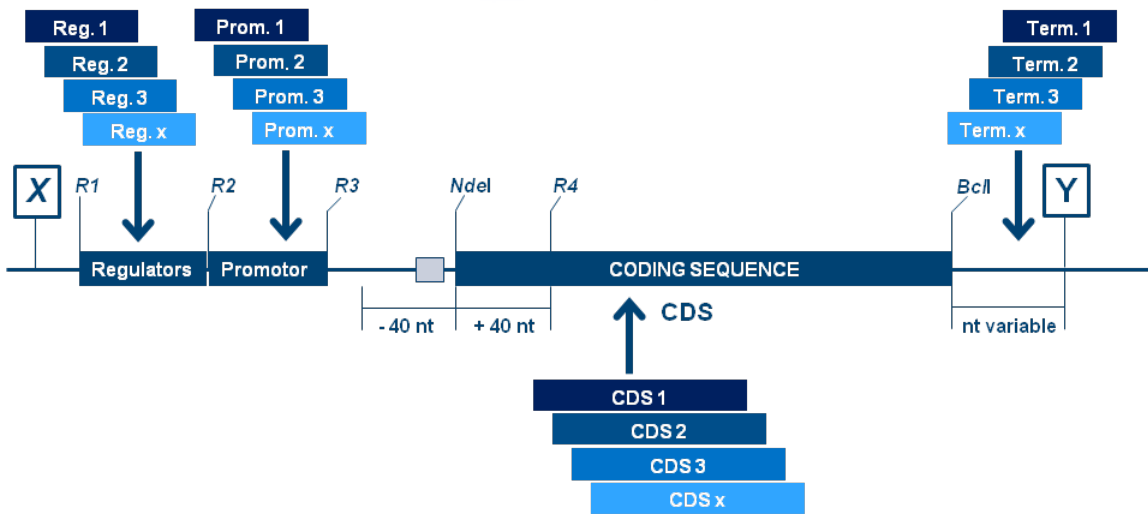


Order your ready-to-use gene assemblies now! - from ATG, your specialists in rational synthetic biodesign!

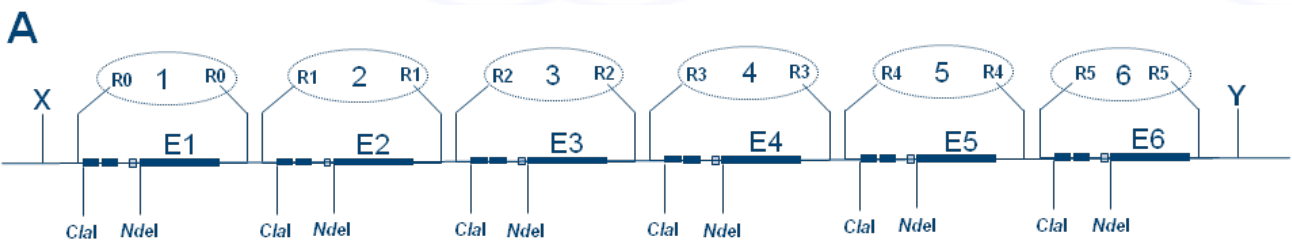
Just define your sequences and let ATG do the rest. No PCR, no cloning, no hassle...

What do you have to do to get your ready-made synthetic gene assemblies?

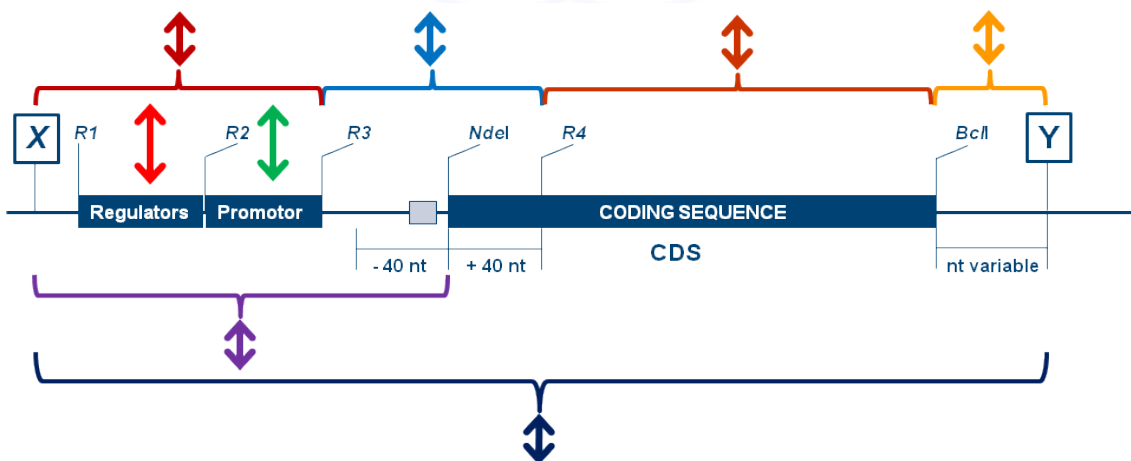
1) Define your CDS, then select appropriate promoters, leaders, terminators, restriction sites, etc. from our suggestions or from your own input.



2) On the basis of a smart design, we will build **fully optimized multi-gene cassette assemblies**. The image below is just an illustration. The actual design can look entirely different, especially concerning the "global" restriction sites R0, R1 ... R5 that can be used to isolate/regenerate the individual gene cassettes.



3) If you require any modifications in the overall expression cassette, the **ACDC-SC design** allows swapping individual genetic elements / modules.



This should give you a good idea of the things we can do for you. If you need a practical example, refer to this recent [publication on an epothilone biosynthetic pathway](#).

INQUIRE/ORDER

For more information, just ask our experts!

ATG:biosynthetics ... experts in synthetic biology and bioinformatics